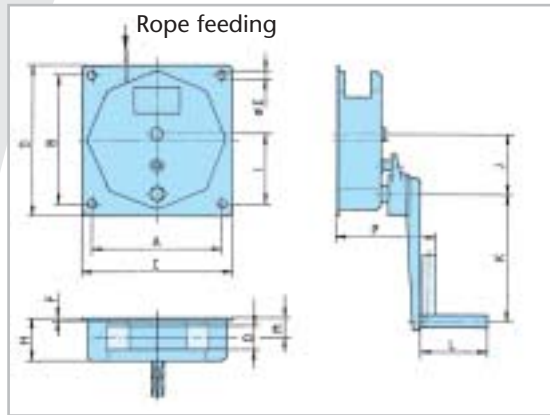


Wire Rope Winches & Hoists

SW-W Wall-Mounted Wire Rope Winch



SW-W Wall-Mounted Wire Rope Winch



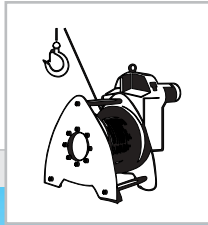
Good ideas make life easier: Our wall-mounted wire rope winches 80 and 125 kg are supplied with removable crank, inside braked spring retention and aluminum housing. Industrial and plant construction, agriculture as well as wholesale will find the SW winch perfect equipment for most requirements, as they are robust and superbly engineered. For a tensile load of 300 kg or more, Pfaff-silberblau offers you winches with spur-gear units, an externally mounted safety spring-loaded crank and steel panel housing. We can also supply you with a safety lock-off with removable hand crank.

6

Art. No.		040271017	040271008	030271001	030271136	030271019	
Lifting capacity	1 st layer	kg	80	125	300	500	750
	Upper layer	kg	45	65	220	350	550
Drive Group	DIN 15020	1Em	1Em	1Em	1Em	1Em	1Em
Drum Ø	N	mm	51	40	108	108	108
Drum length		mm	60	60	50	50	50
Wire rope Ø		mm	3*	4*	5**	6**	7**
Wire rope capacity	1 st layer	m	2,4	2	2,1	2,4	2
	Upper layer	m	30	12	15	15	10
Lift per crank rotation		mm	170	138	68	35	35
Required crank pressure		daN	12	13	15	13	20
Weight		kg	3	3	10	11	11
A		mm	110	110	250	250	250
B		mm	110	110	250	250	250
C		mm	130	130	290	290	290
D		mm	130	130	290	290	290
Ø E		mm	9	9	14,5	14,5	14,5
F		mm	15	15	2	2	2
H		mm	121	121	85	85	85
I		mm	55	55	138	138	138
J		mm	-	-	117	117	117
K		mm	250	250	250	250	250
L		mm	130	130	130	130	130
M		mm	68	68	39	39	39
O		mm	60	60	50	50	50
P		mm	275	275	192	192	192

*recommended wire rope: DIN 3055 FE-znK 1770 sZ-spa
 **recommended wire rope: DIN 3060 FE-znK 1770 sZ-spa

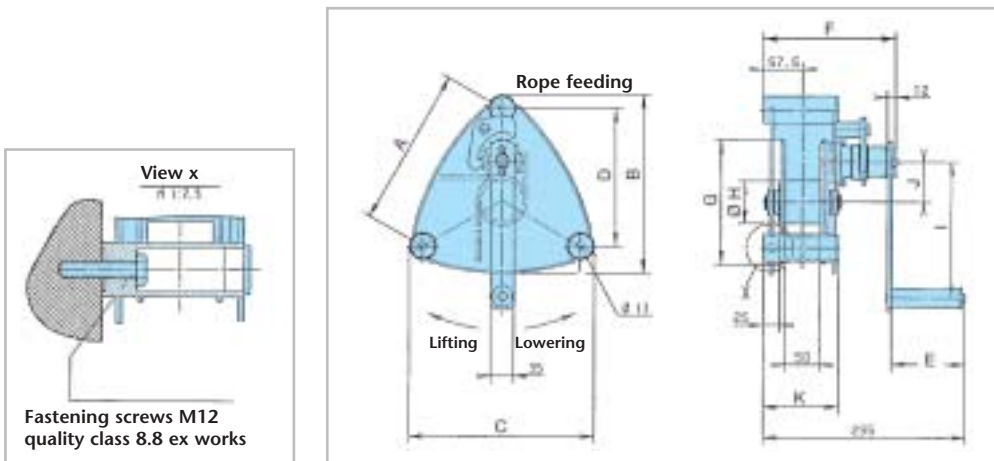
Wire Rope Winches & Hoists



SW-W ALPHA Wall-Mounted Wire Rope Winches

ALPHA Wall-Mounted Wire Rope Winch

Here is the solution for lifting and lowering of loads: the wall-mounted wire rope winch ALPHA is so versatile, smooth running and safe in handling that nearly no one in wholesale, mechanical engineering or agriculture is willing to dispense with it. Equipped with a toothed spur wheel back gear, low net weight and compact design makes this winch meet every requirement. Easily mounts onto the wall with rope output possible in every direction. Our hand wire rope winch can be delivered in galvanized design.



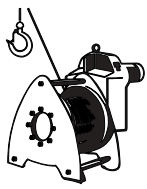
Anerkennung für den Bundespreis produkt-Design 1996



Art. No.		030272006	030272005	030272002	030272001	
Lifting capacity	1 st layer	kg	300	500	750	1000
	upper layer	kg	130	230	270	360
Drive group	DIN 15020	1Em	1Em	1Em	1Em	
Drum Ø		mm	63	63	63	63
Drum width		mm	50	50	50	50
Wire rope Ø*		mm	5	6	7	7
Wire rope capacity	1 st layer	m	1,3	1	1	1
	upper layer	m	28	20	26	26
Lift per crank rotation		mm	57	55	45	45
Required crank pressure		daN	13	17	17	18
Weight		kg	10	10	16	16
A		mm	234	234	306	306
B		mm	262	262	337	337
C		mm	274	274	357	357
D		mm	203	203	265	265
E		mm	107	107	107	107
F		mm	194	194	194	194
G		mm	183	183	255	255
H Ø		mm	63	63	63,5	63,5
I		mm	200	250	250	320
J		mm	58,6	58,6	92,5	92,5
K		mm	109,5	109,5	107	107

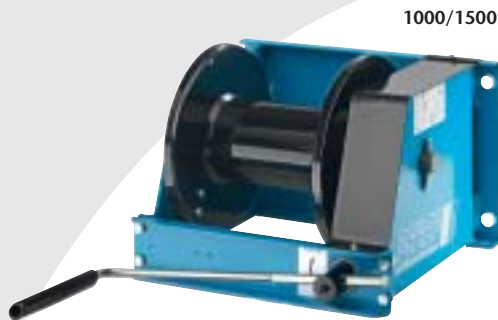
*recommended wire rope: DIN 3060 FE-znK 1770 sZ-spa

6



Wire Rope Winches & Hoists

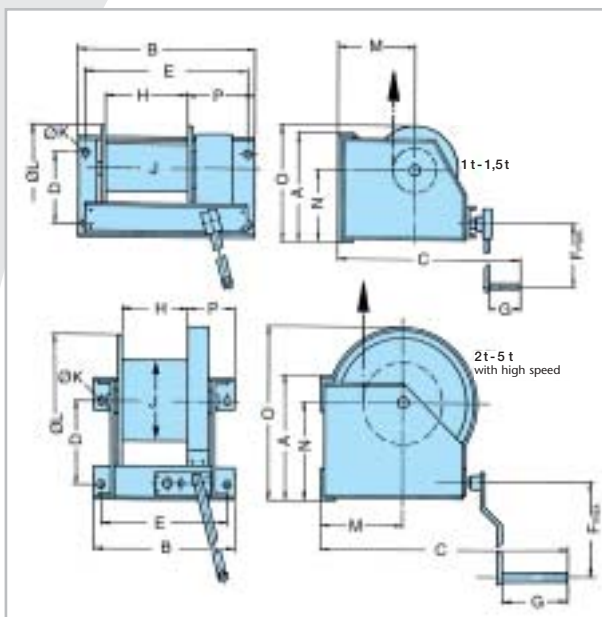
Wall-Mounted Wire Rope Winches With Worm Gear



1000/1500 kg



2000-5000 kg



SW W-SGO Wall-mounted Wire Rope Winch with worm gear

Strength is easy to prove: For the lifting and lowering of loads our hand manual wire rope winch with worm gear and additional friction disk brake is mounted onto the wall and takes up to 5 tons tension loads. Winch housing and rope drum is made of robust steel plate. Sizes from 2 tons upwards are equipped with an additional speed increasing ratio used for overdrive.

Options:

- Multi-compartment
- Zine plated
- Grooved drum

6

Art. No.		030253006	030253000	030254002	030255009	030256013	
Lifting capacity	1 st layer	kg	1000	1500	2000	3000	5000
	upper layer	kg	500	850	1100	2000	3300
Wire rope capacity	1 st layer	m	4,5	4,5	4	5	4,5
	upper layer	m	46	38	37	34,5	33,8
Wire rope Ø*		mm	9	10	13	16	20
Lift per crank rotation		mm	21	18	8/16**	7/14**	8/16**
Required crank pressure		daN	10,6	16	9/18**	12/24**	25,2/50,4**
Weight		kg	26	28	60	78	105
A		mm	201	238	295	356	421
B		mm	348	378	410	436	436
C		mm	490	490	740	825	865
D		mm	141	178	196	251	316
E		mm	316	346	360	386	386
F		mm	350	350	380	380	380
G		mm	140	140	250	250	250
H		mm	160	185	180	205	200
J Ø		mm	101,6	101,6	133	165,1	219,1
K Ø		mm	17	17	25	25	25
L Ø		mm	240	240	312	376	437
M		mm	164	164	208	260	298
N		mm	140	142	249	308	335
O		mm	260	263	419	550	613
P		mm	127	127	137	137	138

*recommended wire rope DIN 3060 FE-znK-1770 sZ spa

**load / high speed