

Console-Mounted Aluminium Wire Rope Winches

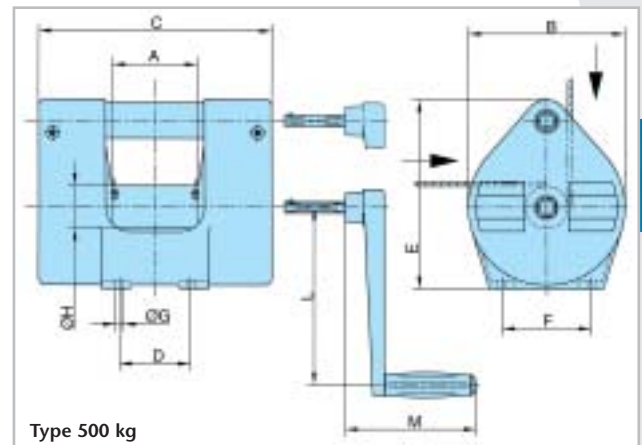
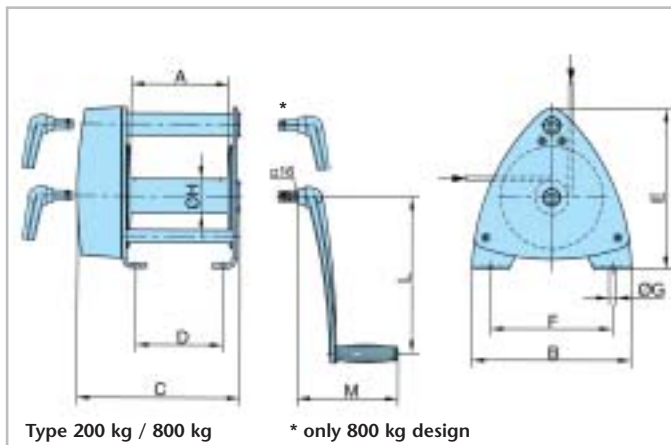
SW K GAMMA Console-Mounted Aluminum Wire Rope Winch

The wire rope winch GAMMA is a drum winch equipped with closed sprocket wheel drive and made of aluminum. Therefore it is especially suitable for outdoor application.

Winches with tension load of 500 kg and more are equipped with an additional speed increasing ratio for winding and unwinding the unloaded rope. The winch allows mounting in every position, can comfortably be operated from either end of the winch and is equipped with a removable crank. The spring retention is located inside and therefore maintenance free. As an option for 800 kg winches, a drum separation plate for double rope operation can be delivered.



800 kg



6

Art. No.		040270004	040270001	040270006
Lifting capacity	1 st layer	200	500	800
	upper layer	110	200	350
Wire rope capacity	1 st layer	3,6	4,2	5,3
	upper layer	40	50	78
Drive group	DIN 15020/1	1 Em	1 Em	1 Em
Wire rope Ø*	mm	4	6	7
Lift per crank rotation	mm	195	60/400**	36/280**
Required crank pressure	daN	19	12	18
Ratio of transmission		–	6,57:1	7,57:1
Weight	kg	6	14	16
A	mm	120	120	200
B	mm	160	220	326
C	mm	192	330	336
D	mm	152	100	180
E	mm	165	267	327
F	mm	135	125	250
G Ø	mm	9,5	11	14
H Ø	mm	50	60	70
L	mm	320	250	320
M	mm	207	165	207

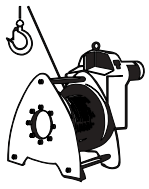
*recommended wire rope DIN 3060 FE-znK-1770 sZ spa
**load /high-speed



200 kg



500 kg



Wire Rope Winches & Hoists

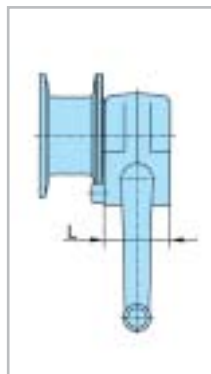
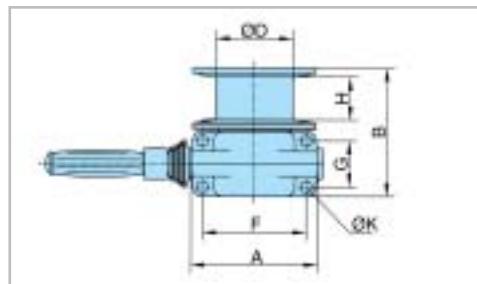
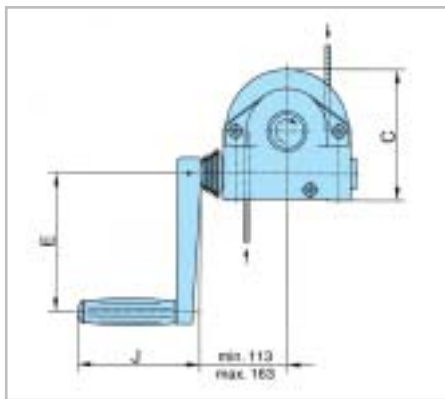
Console-Mounted Aluminium Wire Rope Winches



SW KAL Console-Mounted Aluminium Wire Rope Winch (Compact wire rope winch)

The smaller it is – the more important it can be: Our compact wire rope winch made of aluminium is of a closed construction and therefore maintenance-free. For tension loads from 750 kg up to 1120 kg it is your perfect partner for superstructures on vehicles and trailers (with freewheeling device) as well as for lifting and lowering of wet-pit pumps in sewage works. Many of those comfortable features – like absolutely smooth running and a self-locking worm gear or low-friction shaft gearing provide the comfortable operation, longlife and safety you have come to expect from Pfaff-silberblau.

6



Art. No.			030207004	030208000
Lifting capacity	1 st layer	kg	750	1120
	upper layer	kg	600	600
Wire rope capacity - total		m	10	10
Wire rope Ø*		mm	6	7
Drum-Ø		mm	100	63
Lift per crank rotation		mm	15	11
Required crank pressure		daN	20	22
Weight		kg	7	7
A		mm	165	165
B		mm	168	168
C		mm	170	170
Ø D		mm	100	63
E		mm	180	180
F		mm	135	135
G		mm	60	60
H		mm	56	50
Ø K		mm	13	13
J		mm	160	160
L		mm	85	85

*recommended wire rope DIN 3060 SE-znK-1770 sZ spa