

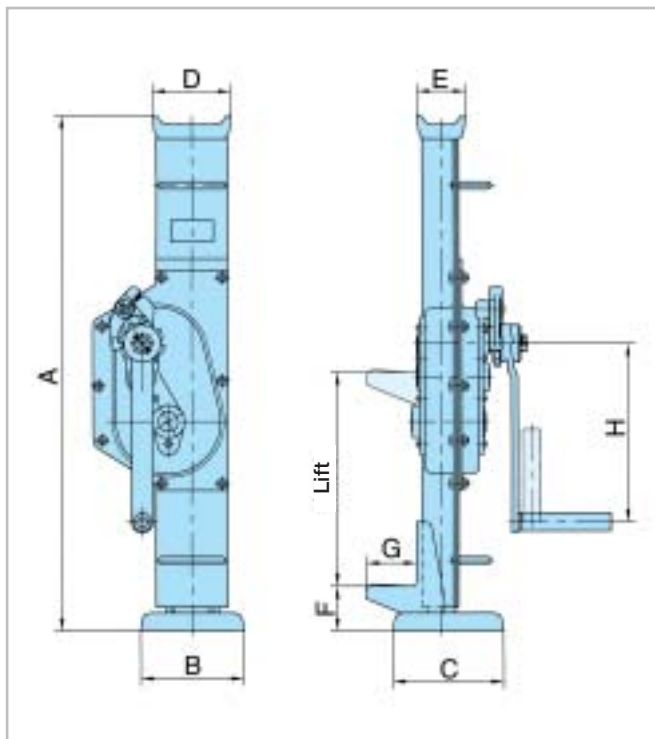
Rack & Pinion Jacks



Steel Jacks

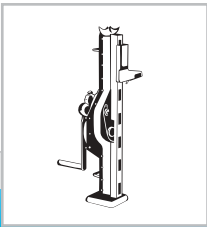
STW-F Steel Jack according to DIN 7355 with fixed lifting claw

The steel jack is standard equipment for tool and machinery shops, contractors, shipyards, agriculture and workshops: our steel jack with fixed lifting claw can be delivered with different types of hand crank for lifting the jack shaft along the rack. It offers a very long service life due to its high quality spur gear, precise worked crank gear as well as additional worked pawl. The steel jack STW-F is a masterpiece of technique and price/performance ratio.



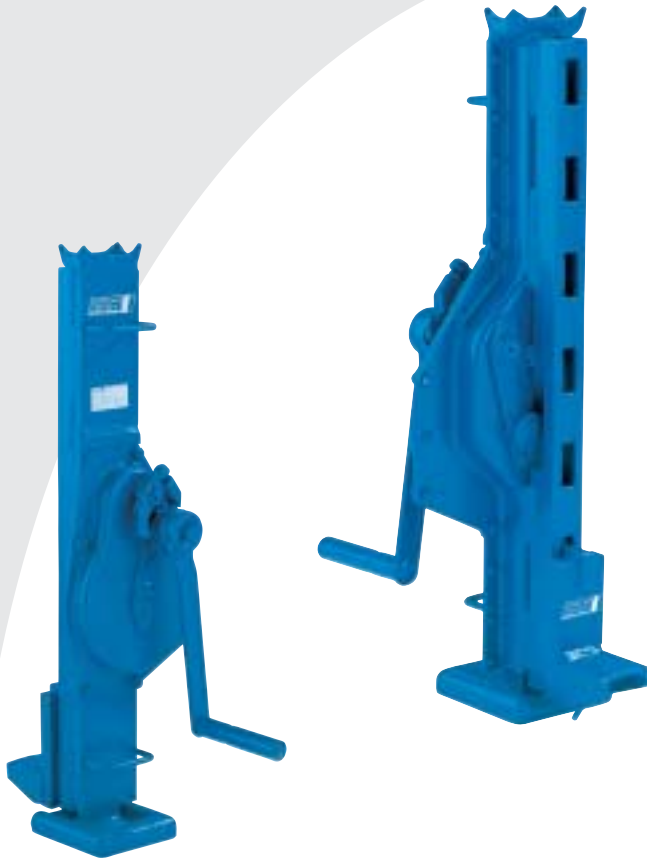
Art. No.	Sifeku	030001139	030002135	030003131	—
	Siku	030001007	030002003	030003069	030004006
	Raku	030001015	030002011	030003018	030004014
A	mm	720	720	720	792
B	mm	130	130	145	145
C	mm	140	140	155	155
D	mm	90	90	110	125
E	mm	50	50	68	80
F	mm	60	61	62	85
G	mm	60	65	70	85
H	mm	250	250	250	300

Art. No.	Technical Data					
Sifeku	Siku	Raku	Lifting capacity t	Height mm	Lift mm	Weight kg
030001139	030001007	030001015	1,5	720	350	12
030002135	030002003	030002011	3,0	720	350	21
030003131	030003069	030003018	5,0	720	300	26
—	030004006	030004014	10,0	792	300	42



Rack & Pinion Jacks

Steel Jacks



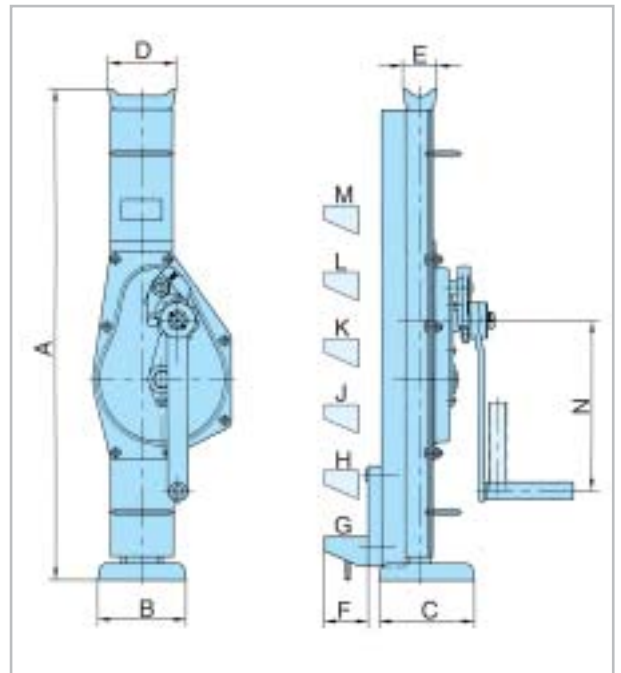
STW-V Steel Jack according to DIN 7355 with adjustable lifting claw

Quality produced in series. In the steel jack with adjustable lifting claw our experience is shown in our technical competence. The crank handle – in different executions – moves the jack shaft at the rack. The toe height of the claw can be adjusted to the required mounting or maintenance application. Reliability and long service life can be guaranteed by the high-quality spur gear and precision machined wear-resistant rack.

As someone so experienced in the manufacture of steel jacks, quality can only be expected!

7

Art. No.	Sifeku	030008133	030009156	—
	Siku	030008001	030009008	030010006
	Raku	030008028	030009016	030010014
A	mm	720	720	792
B	mm	130	145	145
C	mm	140	155	155
D	mm	100	110	125
E	mm	50	68	80
F	mm	65	65	70
G	mm	69	62	85
H	mm	166	159	191
J	mm	263	256	297
K	mm	360	353	403
L	mm	457	450	509
M	mm	554	547	615
N	mm	250	250	300



Art. No.	Technical Data					
Sifeku	Siku	Raku	Lifting capacity t	Height mm	Lift mm	Weight kg
030008133	030008001	030008028	3,0	720	350	25
030009156	030009008	030009016	5,0	720	300	30
—	030010006	030010014	10,0	792	300	48