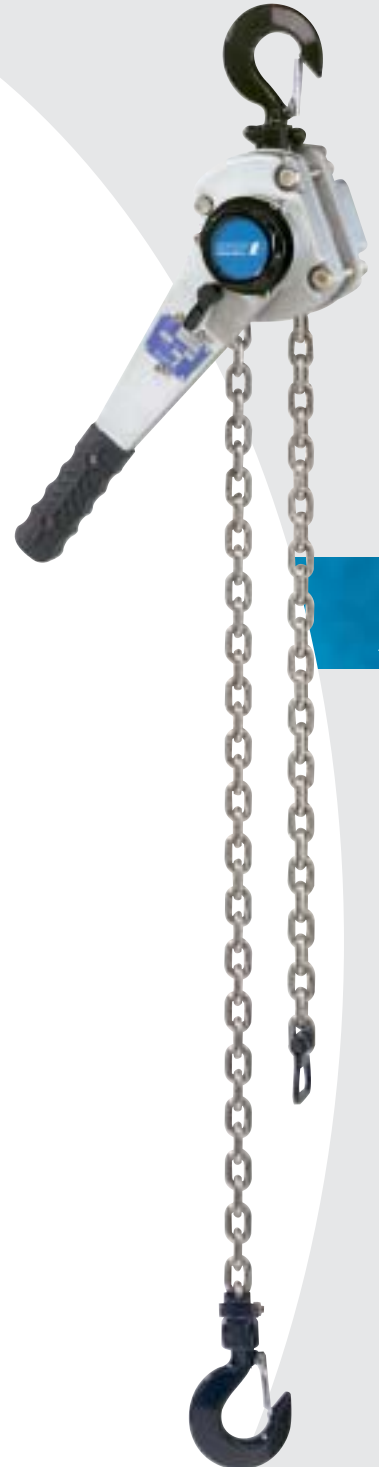
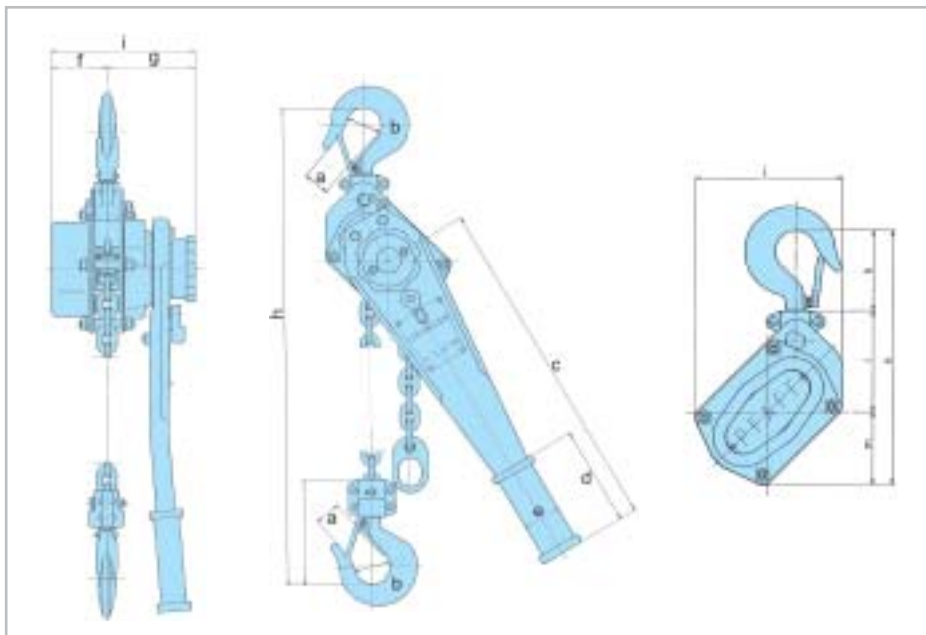


PROLINE Ratchet Lever Hoists

PROLINE HZ PRO Ratchet Lever Hoist

Just a single solution to deal with every job. The PROLINE ratchet lever hoist is the all-purpose device from Pfaff-silberblau for the convenient lifting, pulling and lashing of loads. With a rugged housing of spheroidal graphite grey iron (GGG 50), a short lever arm, galvanized chain, asbestos-free brake discs, an enclosed gear unit with friction bearings – the list of positive features is almost as long as the service life of this high-quality hoist. Which also makes the PROLINE suitable for tough assembly jobs too.



5

Art. No.		040012401	040012402	040012403	040012404
Tension load	kg	750	1500	3000	6000
No. of falls	EA	1	1	1	2
Lift *	m	1,5	1,5	1,5	1,5
Overall size (from inner edge to inner edge hook)	mm	325	379	480	606
Lift per turn	mm	25	29	20	10
Lever pressure at maximum load	daN	20	25	32	30
Unladen weight for normal lifting	kg	8,5	14	22,5	30
a	mm	30	30	35	45
b	mm	35	42	50	62
c	mm	290	375	420	420
d	mm	105	140	140	140
e	mm	42	45	45	45
f	mm	63	75	85	85
g	mm	95	110	120	120
h min.	mm	325	380	620	700
i	mm	158	185	205	205
j	mm	125	160	235	320
k	mm	75	85	100,5	115
l	mm	90	104	135,5	155
m	mm	70	75	100	100
n	mm	215	260	329,5	370

*Higher lifting heights available on request



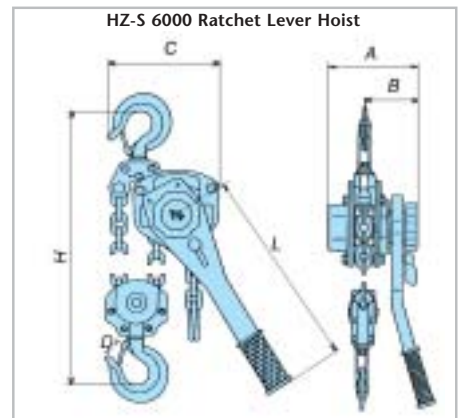
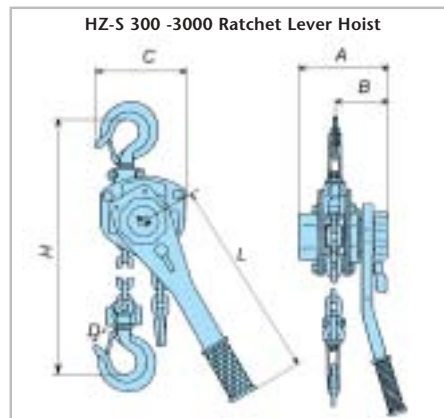
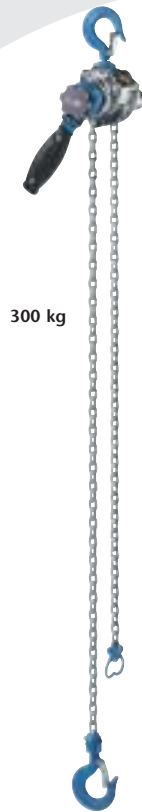
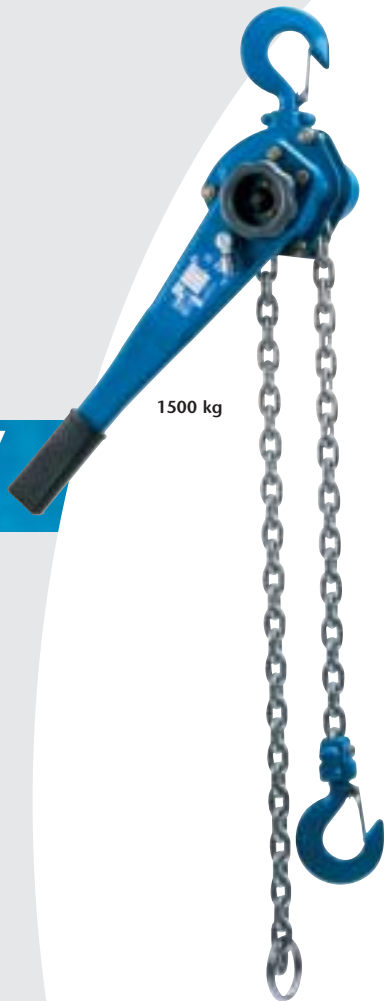
Chain Hoists

SILVERLINE Ratchet Lever Hoists

SILVERLINE HZ S Ratchet Lever Hoist

Now industry, commerce and the craft are set in motion: The all-purpose SILVERLINE for lifting, pulling and lashing of loads is now available! Tension loads from 300 up to 6000 kg, housing made of steel plate, short lever motion, a galvanized chain, asbestos-free brake discs, low unloaded weight and a gear with friction bearings meets all requirements of our customers. With its compact design dimensions, chain guide and excellent braking properties, it is unbeatable.

5



Art. No.		040012400	030834052	030834053	030834054	030834055
Tension load	kg	300	750	1500	3000	6000
No. of falls	EA	1	1	1	1	2
Lift *	m	1,0	1,5	1,5	1,5	1,5
Overall size (from inner edge to inner edge hook)	mm	210	320	380	480	600
Lift per turn	mm	32	25	30	20	10
Lever pressure at maximum load	daN	15	14	22	32	34
Weight	kg	2	7,2	11,5	21	31
A	mm	116	155	180	215	215
B	mm	80	95	105	130	130
C	mm	75	135	155	200	200
D	mm	19	30	36	40	50
H	mm	210	320	380	480	600
L	mm	155	285	370	420	420

* higher lifting heights available on request