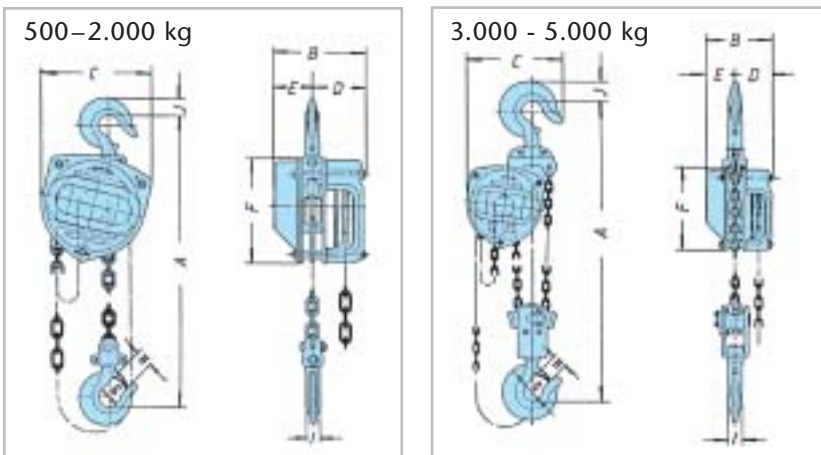




PROLINE Hand Chain Blocks

PROLINE Stira P 90 Hand Chain Block

Master the toughest of installation jobs with ease with the PROLINE P 90. With a low unladen weight this hand-operated hoist relieves you of the task of lifting heavy loads vertically – all you have to do is pull the hand chain. An automatic mechanical brake securely holds the load in every position. Thanks to the enclosed pressed steel body your chain block will offer you particularly long service. The chain block is supplied with a standard suspension height of 3 m. If you require a higher suspension height, please do not hesitate to ask us.



5

Art. No.		040012405	040012406	040012407	040012408	040012409	040012410
Lifting capacity	kg	500	1000	1500	2000	3000	5000
Lift for 30 m hand chain travel	mm	1058	750	488	375	250	115
Tensile strength on hand-chain under max. load	daN	29	32	30	40	40	48
No. of falls	EA	1	1	1	1	2	2
Weight	kg	11	15	20	25	30	50
A	mm	350	383	442	485	580	640
B	mm	138	154	175	170	178	183
C	mm	146	161	182	202	180	352
D	mm	88	86	90	85	95	90
E	mm	61	64	85	85	83	93
F	mm	150	175	175	205	185	233
G	mm	35	40	45	50	55	65
H	mm	21	27	33	34	38	42
I	mm	17	21	24	26,5	29	37
J	mm	21	28,5	30	34	40	49

Higher lifting capacities available on request



Chain Hoists

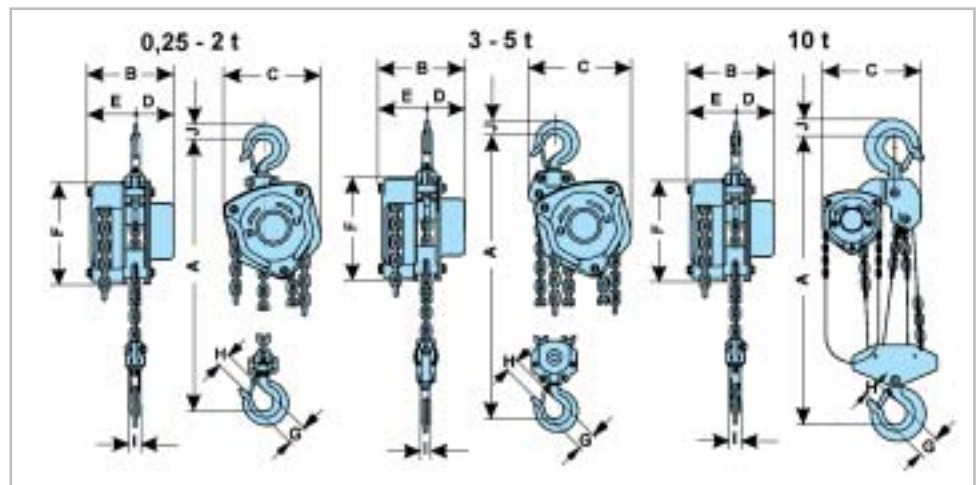
SILVERLINE Hand Chain Blocks



SILVERLINE Stira S Hand Chain Block

This durable "colleague" makes your purchasing decision easy: Using our SILVERLINE hand chain block the lifting and lowering of loads is achieved by pulling the hand chain – whilst the load pressure holds the load securely. As standard our SILVERLINE lifts loads from 500 kg up to 10000 kg and offers the option of larger lifting heights (standard 3 m) and the mounting of a chain container.

5



Art. No.		040009122	030867050	030867052	030867054	030867056	030867058	030867060	030867062
Lifting capacity	kg	250	500	1000	1500	2000	3000	5000	10000
Tensile strength on hand-chain under max. load	kg	23,5	23	31	32	36	34	41	41
No. of falls	EA	1	1	1	1	1	2	2	4
Weight	kg	6	10	12	19	20	27	46	83
A	mm	280	270	317	399	414	465	636	798
B	mm	114	131	140	161	161	161	186	207
C	mm	120	127	158	174	187	199	253	398
D	mm	50	57	63	79	77	79	91	91
E	mm	60	74	77	82	84	82	93	116
F	mm	106	140	169,5	183	203	213	246	280
G	mm	31	36	40	45	50	58	64	85
H	mm	21	30	34	38	41	48	52	64
I	mm	11	12,5	16	20	22,5	27	35	40
J	mm	16	18	23	28	28	35	46	60,4